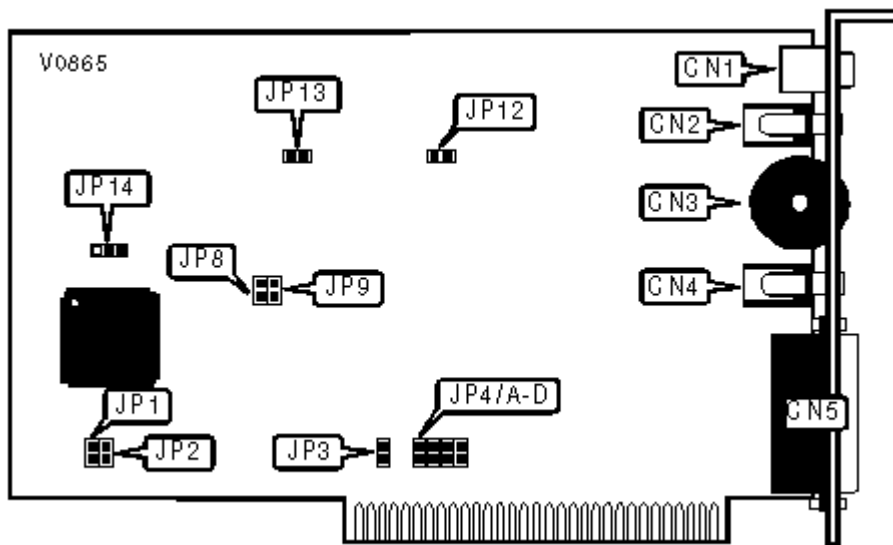


CREATIVE LABS, INC.

SOUNDBLASTER 2.0 (CT1350)

Card Type	Sound card
Chipset/Controller	Creative Technology
I/O Options	Game/MIDI port, headphone/speaker jack, line in jack, microphone jack, volume control
Maximum DRAM	N/A
Data Bus	8-bit ISA



CONNECTIONS

Purpose	Location	Purpose	Location
Audio line-in jack	CN1	Headphone/speaker jack	CN4
Microphone jack	CN2	Game/MIDI port	CN5
Volume control	CN3		

I/O ADDRESS

Address	JP1	JP2
» 22Xh	Open	Closed
24Xh	Closed	Open

INTERRUPT SELECT - JP4

	IRQ	Jumper A	Jumper B	Jumper C	Jumper D
»	IRQ7	Open	Open	Open	Closed
	IRQ2	Closed	Open	Open	Open
	IRQ3	Open	Closed	Open	Open
	IRQ5	Open	Open	Closed	Open

GAME PORT

	Setting	JP8
»	Enabled	Closed
	Disabled	Open

CMS CHIPSET

	Setting	JP9
»	Disabled/not installed	Closed
	Enabled/installed	Open

DMA SHARING

	Setting	JP14
»	Disabled	Pins 2 & 3 closed
	Enabled	Pins 1 & 2 closed

FACTORY CONFIGURED SETTINGS

Jumper	Setting
JP3	Closed
JP12	N/A
JP13	N/A

Note: The purpose and settings of JP12 and JP13 are unidentified.